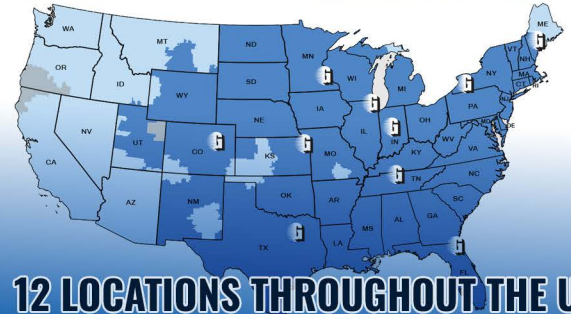


THE INDUSTRY'S TRUSTED LEADER IN NEW & REMAN TRANSFER CASES

CONTACT THE TRANSFER
CASE SPECIALISTS TODAY
FOR A QUOTE ON YOUR
NEXT TRANSFER
CASE ASSEMBLY
OR EXPLORE OUR INVENTORY
OF PARTS



12 LOCATIONS THROUGHOUT THE U.S.

With over 50 years of experience, we are one of the nation's largest suppliers of both new and remanufactured transfer cases.



800-621-3914
info@generaltruckparts.com



General Truck Parts & Equipment
4040 W. 40th Street
Chicago, IL 60632
generaltruckparts.com/shop



TC-180
TRANSFER CASE
PARTS MANUAL

PARTS MANUAL

TABLE OF CONTENTS

| | |
|---|-------|
| Fig. 1..... | 2 |
| Fig. 2..... | 3 |
| Fig. 3..... | 4 |
| TC-180 Upper Shaft Assembly w/o PTO..... | 5-6 |
| TC-180 Upper Shaft Assembly with PTO | 7-8 |
| TC-180 Upper Shaft Assembly with Hydraulic Pump Output..... | 9-10 |
| TC-180 Intermediate Shaft Assembly..... | 11-12 |
| TC-180 Front Output Shaft Assembly..... | 13-14 |
| TC-180 Rear Output Shaft Assembly without Neutral..... | 15-16 |
| TC-180 Rear Output Shaft Assembly with Neutral..... | 17-18 |
| TC-180 Single Acting Air Shift Cylinder Assembly..... | 19-20 |
| TC-180 Lubrication Hoses and Fittings w/o PTO..... | 21-22 |
| TC-180 Lubrication Hoses and Fittings with PTO..... | 23-24 |
| TC-180 Remaining Parts..... | 25-26 |

TO USE THIS PARTS MANUAL

1. Refer to the exploded view which illustrates the needed part.
2. Find the required part in the exploded view and then note the item number.
3. Locate the item number in the parts list for part number, description and quantity.

NOTE: When ordering parts, specify model number, part number, serial number or other information that is on the Fabco nameplate located on the transfer case housing.

Contact Fabco if your configuration does not match parts in this manual.

Part numbers contained in this manual were in effect at the time the manual was approved for printing and are subject to change without notice or liability. Fabco Division reserves the right to change parts at any time.

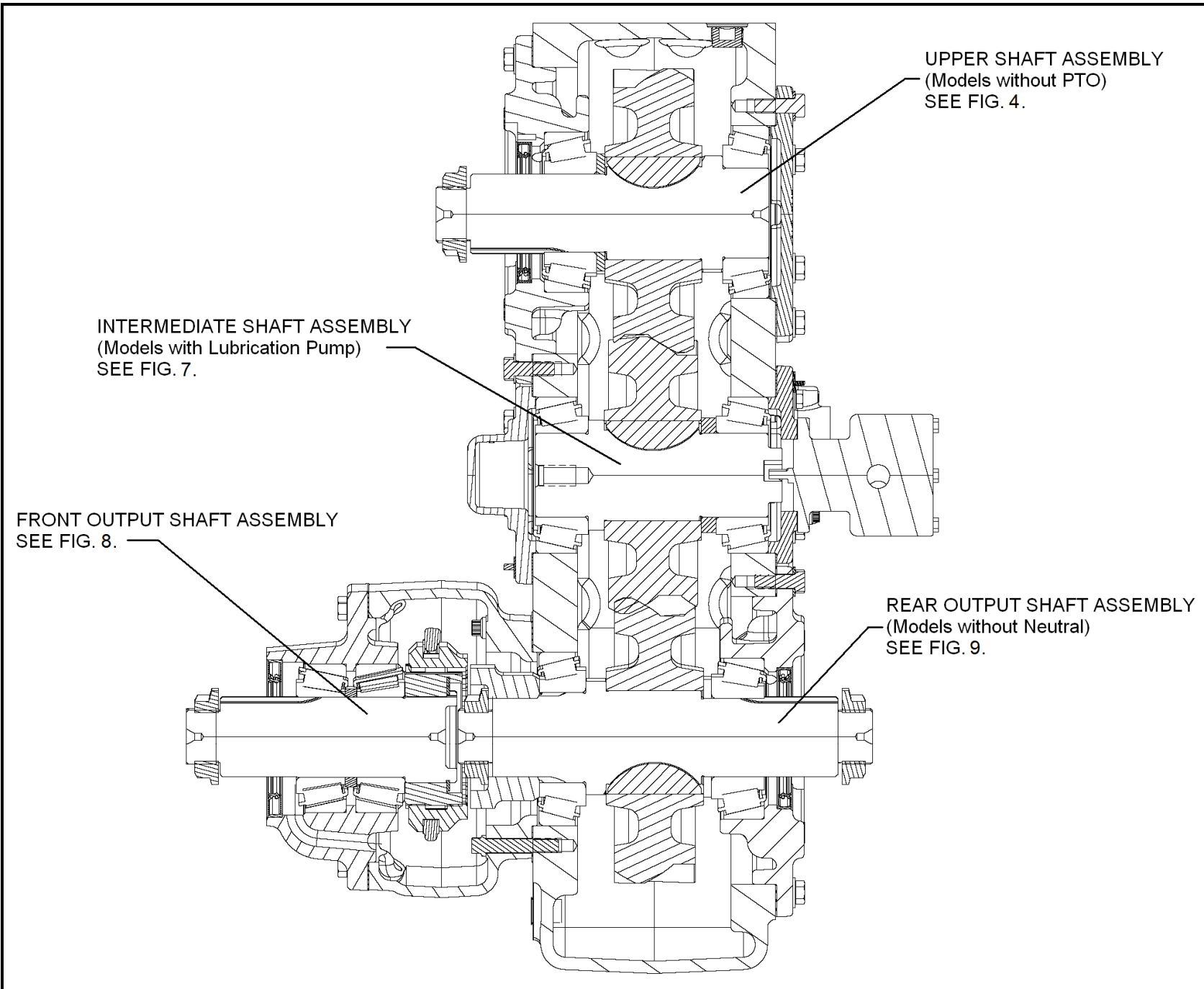
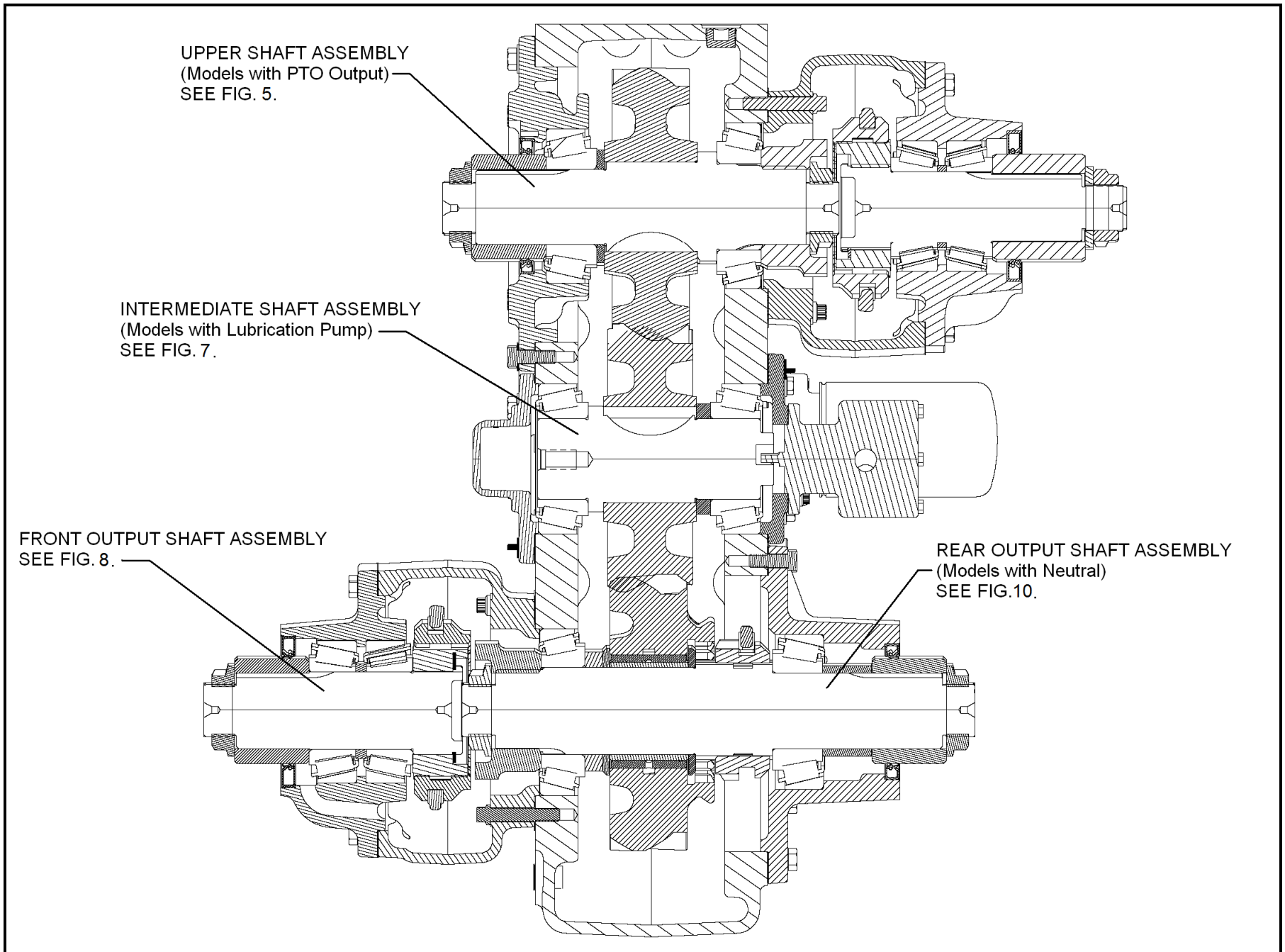


FIG. 1 - TYPICAL TC-180 BASIC TRANSFER CASE



**FIG. 2 - TYPICAL TC-180 BASIC TRANSFER CASE
(SHOWN WITH NEUTRAL AND PTO)**

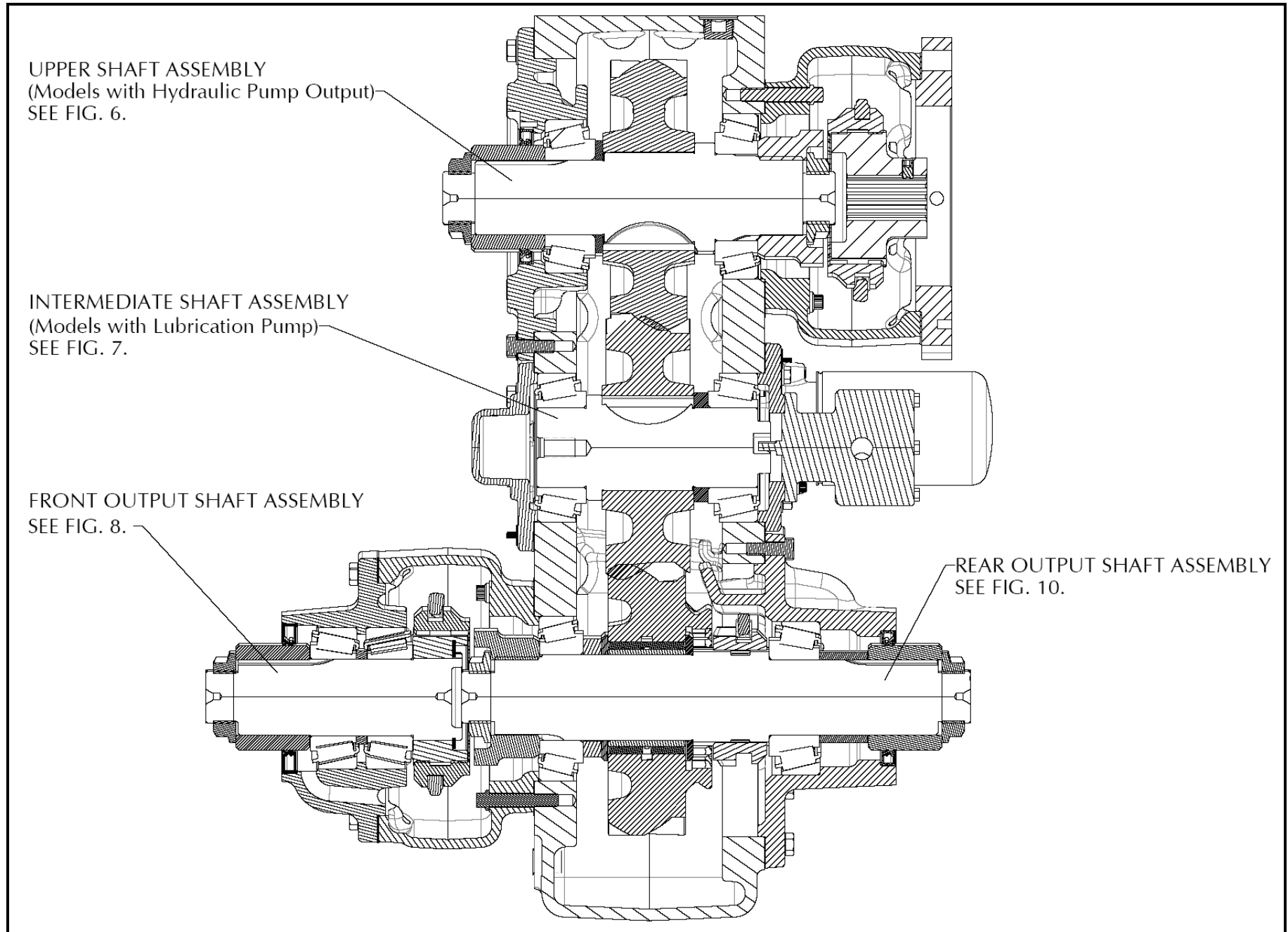


FIG. 3 - TYPICAL TC-180 BASIC TRANSFER CASE
(SHOWN WITH NEUTRAL AND HYDRAULIC PUMP PAD)

TC-180 Upper Shaft Assembly
Models without PTO Output.
See Fig. 4

| <u>ITEM</u> | <u>PART NO.</u> | <u>DESCRIPTION</u> | <u>QTY.</u> | <u>FOOT</u> <u>NOTE</u> |
|-------------|-----------------|---|-------------|----------------------------|
| 1 | 233-0375 | BEARING CUP | 1 | |
| 6 | 233-0489 | BEARING CONE | 1 | |
| 7 | 233-0492 | BEARING CUP | 1 | |
| 8 | 233-0493 | BEARING CONE | 1 | |
| 18 | 235-0729-002 | CAP, FINISHED, TOP RER W/LUBE 1 | 1 | |
| 25 | 237-0542-003 | CARRIER | 1 | |
| 29 | 265-0238 | BOLT, 7/16-14 x 1-1/4 GR5 HH | 16 | |
| 36A | 273-0687 | BRACKET, LIFTING | 2 | |
| 43 | 427-0523 | GASKET, CARRIER | 1 | |
| 46 | 427-0567 | GASKET, HOUSING DECLUTCH | 1 | |
| 48 | 432-0779 | GEAR, 33 TOOTH, UPPER OR LOWER | 1 | |
| 64 | 688-0738 | NUT LOCK HEX 1 3/4-12 | 1 | |
| 69 | 732-0467 | SEAL, OIL | 1 | |
| 77 | 744-0376-001 | *SHIM, BRG, DECLUTCH, (180) .002 THK | A/R | 1 |
| 77 | 744-0376-002 | *SHIM, BRG, DECLUTCH, (180) .005 THK | A/R | 1 |
| 77 | 744-0376-003 | *SHIM, BRG, DECLUTCH, (180) .0015 THK | A/R | 1 |
| 77 | 744-0376-004 | *SHIM, BRG, DECLUTCH, (180) .030 THK | A/R | 1 |
| 92 | 776-0229 | SHAFT | 1 | |
| 113 | 927-0347 | WASHER, 7/16 SAE PLAIN | 16 | |
| 118 | 927-0797 | WASHER, UPPER SHAFT | 1 | |
| 123 | 966-0326 | KEY, WOODRUFF, HARDENED | 1 | |
| 124 | 724-0755 | SCREW, #10 X 1/2 SELF TAPPING, HEX HEAD | 3 | |
| 125 | 927-0864-002 | WASHER | 3 | |

Footnotes:

1. See service manual.
2. Select one spacer ring. See service manual.

TC-180 Upper Shaft Assembly
Models with PTO Output.
See Fig. 5

| ITEM | PART NO. | DESCRIPTION | QTY. | FOOT | | ITEM | PART NO. | DESCRIPTION | QTY. | FOOT | |
|------|--------------|--------------------------------------|------|------|------|------|--------------|---|------|------|------|
| | | | | | NOTE | | | | | | NOTE |
| 1 | 233-0375 | BEARING CUP | 1 | | | 85A | 756-0233-3 | *RING, BEARING SPACER .306 THICK | | | 2 |
| 6 | 233-0489 | BEARING CONE | 1 | | | 85B | 756-0233-4 | *RING, BEARING SPACER .311 THK | | | 2 |
| 7 | 233-0492 | BEARING CUP | 1 | | | 85C | 756-0233-5 | *RING, BEARING SPACER .316 THK | | | 2 |
| 8 | 233-0493 | BEARING CONE | 1 | | | 85D | 756-0233-6 | *RING, BEARING SPACER .321 THK | | | 2 |
| 13 | 233-0523 | BEARING CUP & CONE ASSEMBLY | 2 | | | 85E | 756-0233-7 | *RING, BEARING SPACER .326 THK | | | 2 |
| 23 | 237-0393 | CARRIER, BEARING & SEAL | 1 | | | 85F | 756-0233-8 | *RING, BEARING SPACER, .331 THK. | | | 2 |
| 25 | 237-0542-003 | CARRIER | 1 | | | 85G | 756-0233-9 | *RING, BEARING SPACER, .336 THK. | | | 2 |
| 29 | 265-0238 | BOLT, 7/16-14 x 1-1/4 GR5 HH | 18 | | | 91 | 762-0288 | RING, SNAP | 1 | | |
| 43 | 427-0523 | GASKET, CARRIER | 1 | | | 94 | 776-0233 | SHAFT | 1 | | |
| 45 | 432-0426 | GEAR, CLUTCH COLLAR. | 1 | | | 98 | 776-0237 | SHAFT, FD & PTO | 1 | | |
| 47 | 432-0563 | GEAR, CLUTCH | 1 | | | 111 | 883-0992 | TUBE, METAL, SHIPPING. | 1 | | |
| 48 | 432-0779 | GEAR, 33 TOOTH, UPPER OR LOWER | 1 | | | 113 | 927-0347 | WASHER, 7/16 SAE PLAIN | 10 | | |
| 52 | 432-0634 | GEAR, CLUTCH, FRONT DRIVE & PTO | 2 | | | 117 | 927-0775-005 | WASHER, FLAT, HARDENED | 1 | | |
| 63 | 688-0694 | NUT, 1-1/2-12 HEX SELF LOCKING | 1 | | | 118 | 927-0797 | WASHER, UPPER SHAFT | 1 | | |
| 64 | 688-0738 | NUT LOCK HEX 1 3/4-12 | 2 | | | 123 | 966-0326 | KEY, WOODRUFF, HARDENED | 1 | | |
| 68 | 732-0466 | SEAL, OIL | 1 | | | 124 | 724-0755 | SCREW, #10 X 1/2 SELF TAPPING, HEX HEAD | 3 | | |
| 69 | 732-0467 | SEAL, OIL | 1 | | | 125 | 927-0864-002 | WASHER | 3 | | |
| 77 | 744-0376-001 | *SHIM, BRG, DECLUTCH, (180) .002 THK | A/R | 1 | | 126 | 427-0567 | GASKET, HOUSING DECLUTCH | 1 | | |
| 77 | 744-0376-002 | *SHIM, BRG, DECLUTCH, (180) .005 THK | A/R | 1 | | | | | | | |
| 77 | 744-0376-003 | *SHIM, BRG, DECLUTCH, (180) .015 THK | A/R | 1 | | | | | | | |
| 77 | 744-0376-004 | *SHIM, BRG, DECLUTCH, (180) .030 THK | A/R | 1 | | | | | | | |

Footnotes:

1. See service manual.
2. Select one spacer ring. See service manual.

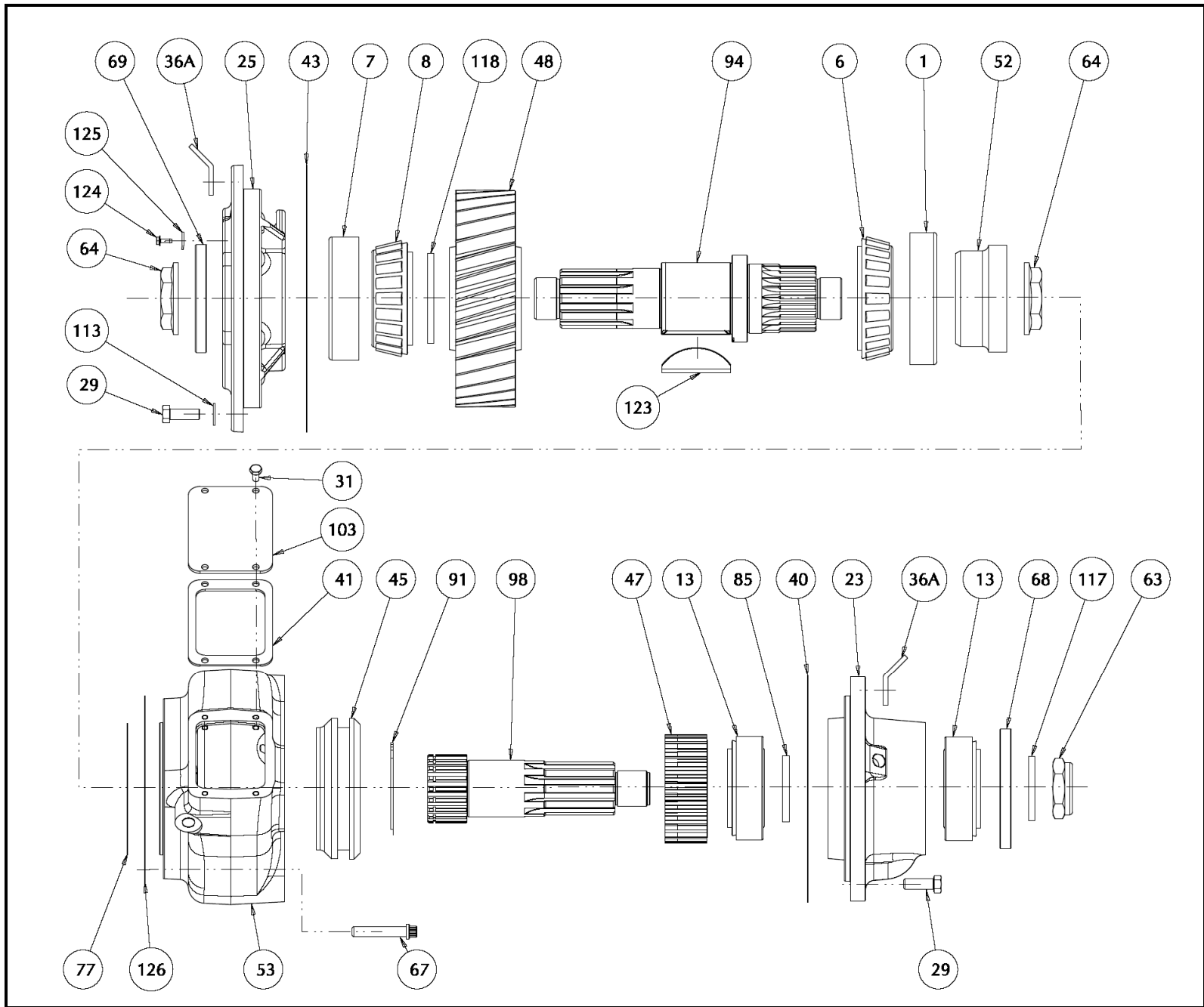


FIG. 5 - UPPER SHAFT ASSEMBLY
Models with PTO Output

TC-180 Upper Shaft Assembly
Models with Hydraulic Pump Output.
See Fig. 6

| ITEM | PART NO. | DESCRIPTION | FOOT | | ITEM | PART NO. | DESCRIPTION | FOOT | |
|------|--------------|-------------------------------------|------|------|------|--------------|--|------|------|
| | | | QTY. | NOTE | | | | QTY. | NOTE |
| 1 | 233-0375 | BEARING CUP | 1 | | 52 | 432-0634 | GEAR, CLUTCH, FRONT DRIVE & PTO | 2 | |
| 6 | 233-0489 | BEARING CONE | 1 | | 53 | 478-0364 | HOUSING, DECLUTCH, 6.75in BC (180) | 1 | |
| 7 | 233-0492 | BEARING CUP | 1 | | 64 | 688-0738 | NUT LOCK HEX 1 3/4-12 | 2 | |
| 8 | 233-0493 | BEARING CONE | 1 | | 67 | 724-0677 | SCREW, CAP 7/16-14 x 2-1/4, 12PT FLANGED | 6 | |
| 25 | 237-0542-003 | CARRIER | 1 | | 69 | 732-0467 | SEAL, OIL | 1 | |
| 29 | 265-0238 | BOLT, 7/16-14 x 1-1/4 GR5 HH | 18 | | 77 | 744-0376-001 | *SHIM, BRG, DECLUTCH, (180) .002 THK | A/R | 1 |
| 30 | 265-0239 | BOLT, 7/16-14 x 1 GR5 HH | 8 | 3 | 77 | 744-0376-002 | *SHIM, BRG, DECLUTCH, (180) .005 THK | A/R | 1 |
| 30 | 724-0268 | SCREW, CAP 7/16-14 x 1 12PT FLANGED | 8 | 4 | 77 | 744-0376-003 | *SHIM, BRG, DECLUTCH, (180) .015 THK | A/R | 1 |
| 31 | 265-0343 | BOLT, 1/4-20 x 1/2 GR5 HH | 4 | | 77 | 744-0376-004 | *SHIM, BRG, DECLUTCH, (180) .030 THK | A/R | 1 |
| 40 | 427-0375 | GASKET, DECLUTCH CARRIER | 1 | | 103A | 793-0566 | PLATE,DECLUTCH COVER w/1/4 NPT LUB PT. | 1 | |
| 41 | 427-0376 | GASKET, DECLUTCH COVER | 1 | | 104 | 792-0867 | PLATE SAE C 4-BOLT HYD PUMP MTG. | 1 | 3 |
| 43 | 427-0523 | GASKET, CARRIER | 1 | | 104 | 793-0462 | PLATE SAE D 2 OR 4 BOLT HYD PUMP MTG | 1 | 4 |
| 45 | 432-0426 | GEAR, CLUTCH COLLAR. | 1 | | 113 | 927-0347 | WASHER, 7/16 SAE PLAIN | 10 | |
| 46 | 432-0494 | GEAR,PUMP DRIVE,14T,12/24P,1.25 ID | 1 | 3 | 118 | 927-0797 | WASHER, UPPER SHAFT | 1 | |
| 46 | 432-0626 | GEAR,PUMP DRIVE,13T,8/16P,1.75 ID | 1 | 4 | 126 | 427-0567 | GASKET, HOUSING DECLUTCH | 1 | |
| 48 | 432-0779 | GEAR, 33 TOOTH, UPPER OR LOWER | 1 | | 127 | 724-0244 | SCREW, SET 3/8-16 x 5/8 HEX SOCKET | 2 | |

Footnotes:

1. See service manual.
2. Select one spacer ring. See service manual.
3. For SAE "C" 4-Bolt Hydraulic Pump Mounting Pad with SAE "C" 1.25 Dia.-14 Splined Gear.
4. For SAE "D" 2 or 4-Bolt Hydraulic Pump Mounting Pad with SAE "D" 1.75 Dia.-13 Splined Gear.

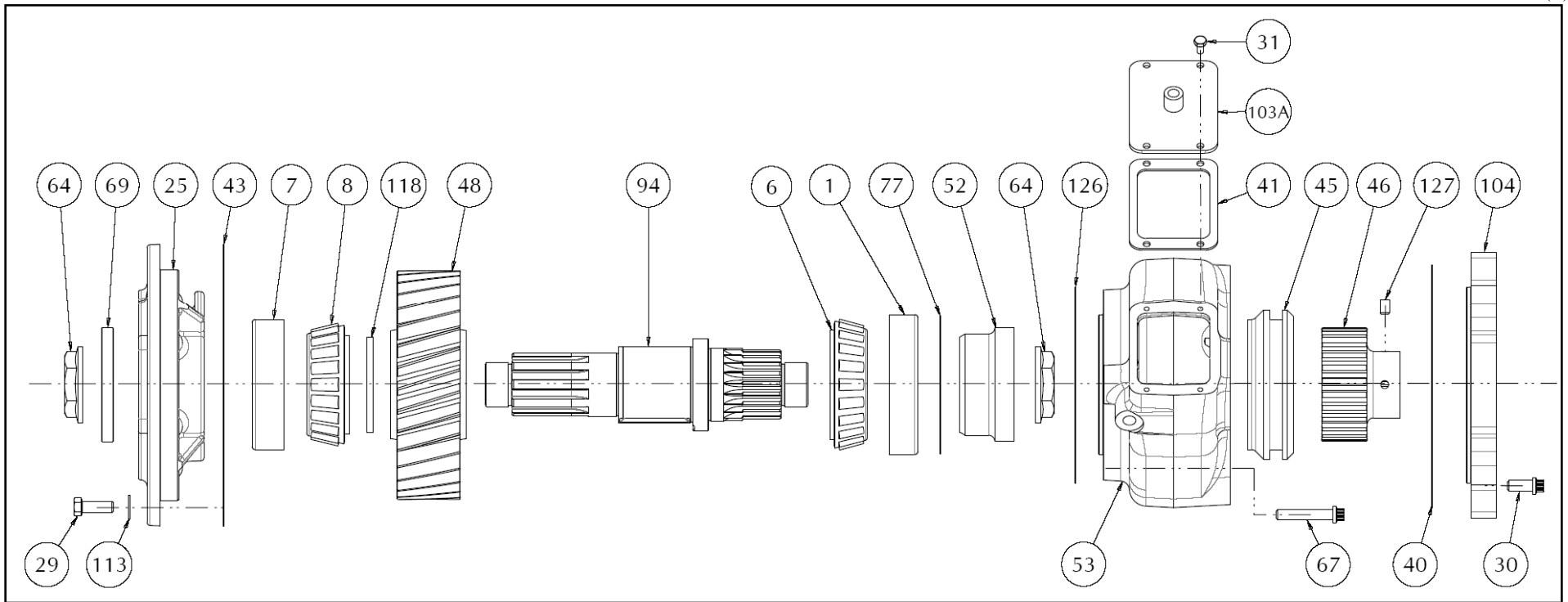


FIG. 6 - UPPER SHAFT ASSEMBLY
Models with Hydraulic Pump Output

TC-180 INTERMEDIATE SHAFT ASSEMBLY**See Fig. 7**

| <u>ITEM</u> | <u>PART NO.</u> | <u>DESCRIPTION</u> | <u>QTY.</u> | <u>FOOT NOTE</u> |
|-------------|-----------------|--|-------------|----------------------|
| 7 | 233-0492 | BEARING CUP | 2 | |
| 9 | 233-0494 | BEARING CONE | 2 | |
| 19 | 235-0572-001 | CAP, INTERMEDIATE | 1 | |
| 21 | 235-0687 | CAP, INTERMEDIATE, TC-170-1.1 & 1.3 | 1 | |
| 29 | 265-0238 | BOLT, 7/16-14 x 1-1/4 GR5 HH | 12 | |
| 42 | 427-0468 | GASKET, OIL PUMP | 1 | |
| 44 | 427-0524 | GASKET | 1 | |
| 49 | 432-0792 | GEAR, 33 TOOTH, INTERMEDIATE | 1 | |
| 65 | 724-0233 | SCREW, CAP 5/16-24 x 3/4in, 12PT FLANGED | 4 | |
| 79 | 744-0356-001 | *SHIM, RED .002 THK | A/R | 1 |
| 79 | 744-0356-002 | *SHIM, BLUE .005 THK | A/R | 1 |
| 79 | 744-0356-003 | *SHIM, PINK .015 THK | A/R | 1 |
| 79 | 744-0356-004 | *SHIM, CORAL .030 THK | A/R | 1 |
| 93 | 776-0364 | SHAFT, INTERMEDIATE | 1 | |
| 102 | 786-0324 | PUMP ASSEMBLY | 1 | |
| 107 | 836-0223 | VENT, BREATHER, 3/8 NPT. | 1 | |
| 113 | 927-0347 | WASHER, 7/16 SAE PLAIN | 12 | |
| 119 | 927-0798 | WASHER, INTERMEDIATE SHAFT | 1 | |
| 123 | 966-0326 | KEY, WOODRUFF, HARDENED | 1 | |

Footnotes:

1. See service manual.
2. Select one spacer ring. See service manual.

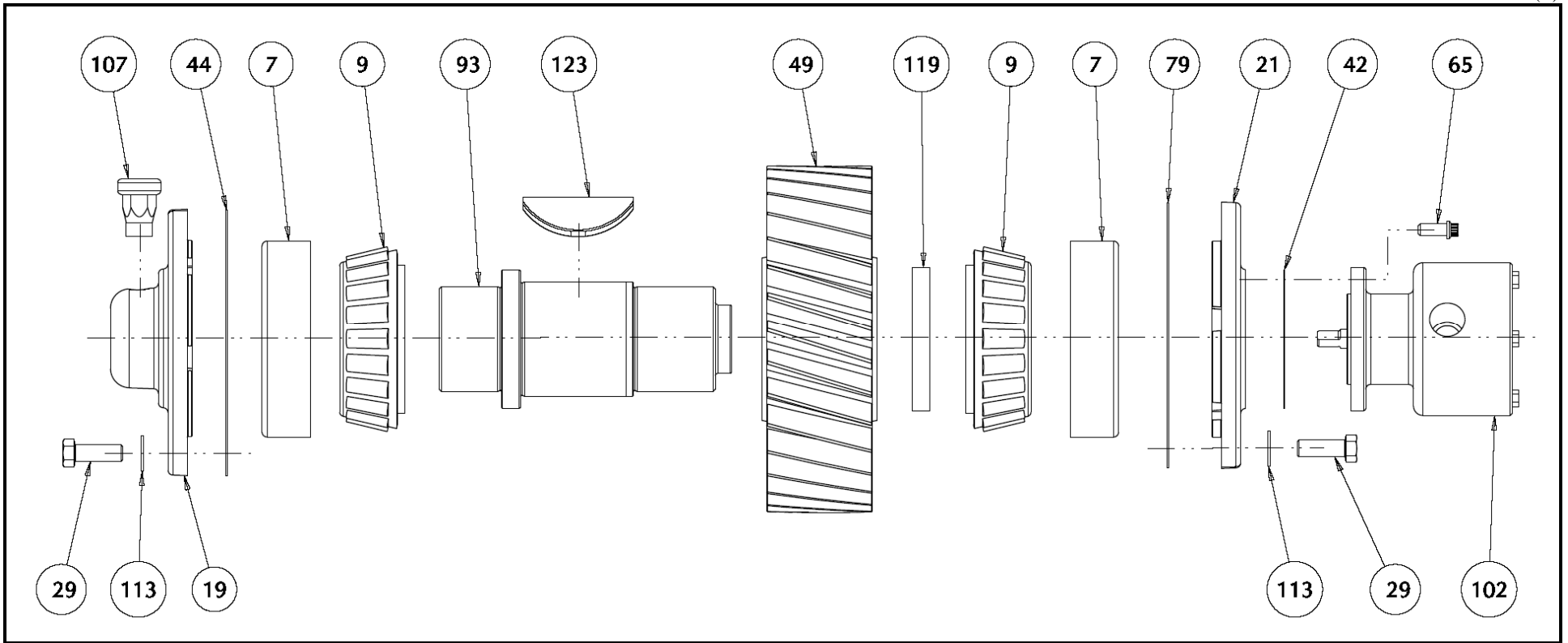


FIG. 7 - INTERMEDIATE SHAFT ASSEMBLY

TC-180 FRONT OUTPUT SHAFT ASSEMBLY**See Fig. 8**

| <u>ITEM</u> | <u>PART NO.</u> | <u>DESCRIPTION</u> | <u>QTY.</u> | <u>FOOT NOTE</u> |
|-------------|-----------------|--|-------------|----------------------|
| 2 | 233-0443 | BEARING CONE | 2 | |
| 3 | 233-0444 | BEARING CUP | 2 | |
| 22 | 237-0427-002 | CARRIER | 1 | |
| 29 | 265-0238 | BOLT, 7/16-14 x 1-1/4 GR5 HH | 8 | |
| 31 | 265-0343 | BOLT, 1/4-20 x 1/2 GR5 HH | 4 | |
| 45 | 432-0426 | GEAR, CLUTCH COLLAR. | 1 | |
| 40 | 427-0375 | GASKET, DECLUTCH CARRIER | 1 | |
| 41 | 427-0376 | GASKET, DECLUTCH COVER | 1 | |
| 46 | 427-0567 | GASKET, HOUSING DECLUTCH | 1 | |
| 47 | 432-0563 | GEAR, CLUTCH | 1 | |
| 53 | 478-0364 | HOUSING, DECLUTCH, 6.75" BC (180) | 1 | |
| 64 | 688-0738 | NUT LOCK HEX 1 3/4-12 | 1 | |
| 67 | 724-0677 | SCREW, CAP 7/16-14 x 2-1/4, 12PT FLANGED | 6 | |
| 68 | 732-0466 | SEAL, OIL | 1 | |
| 71 | 736-0939 | *RING, BEARING SPACER, .360 THK. | | 2 |
| 71A | 736-0942 | *RING, BEARING SPACER, .365 THK. | | 2 |
| 71B | 736-0943 | *RING, BEARING SPACER, .370 THK | | 2 |
| 71C | 736-0944 | *RING, BEARING SPACER, .375 THK. | | 2 |
| 71D | 736-0959 | *RING, BEARING SPACER, .380 THK | | 2 |
| 71E | 736-0962 | *RING, BEARING SPACER, .385 THK | | 2 |
| 77 | 744-0376-001 | *SHIM, BRG, DECLUTCH, (180) .002 THK | A/R | 1 |
| 77 | 744-0376-002 | *SHIM, BRG, DECLUTCH, (180) .005 THK | A/R | 1 |
| 77 | 744-0376-003 | *SHIM, BRG, DECLUTCH, (180) .0015 THK | A/R | 1 |
| 77 | 744-0376-004 | *SHIM, BRG, DECLUTCH, (180) .030 THK | A/R | 1 |
| 91 | 762-0288 | RING, SNAP | 1 | |
| 95 | 776-0234 | SHAFT, FRONT OUTPUT. | 1 | |
| 103 | 792-0866 | PLATE, DECLUTCH COVER | 1 | |

Footnotes:

1. See service manual.
2. Select one spacer ring. See service manual.

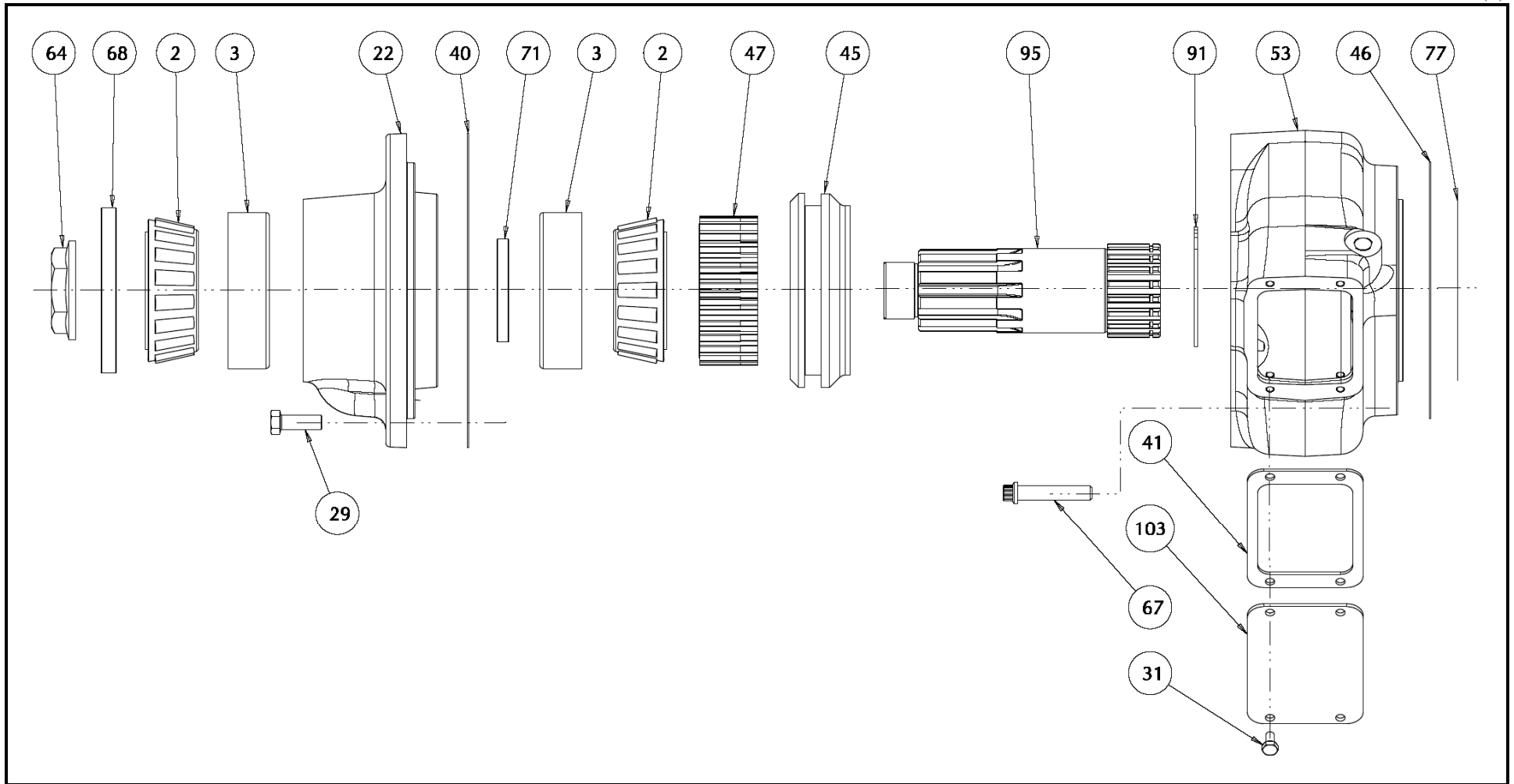


FIG. 8 - FRONT OUTPUT SHAFT ASSEMBLY

TC-180 REAR OUTPUT SHAFT ASSEMBLY**Models without Neutral****See Fig. 9**

| <u>ITEM</u> | <u>PART NO.</u> | <u>DESCRIPTION</u> | <u>QTY.</u> | <u>FOOT</u> <u>NOTE</u> |
|-------------|-----------------|---------------------------------|-------------|----------------------------|
| 1 | 233-0375 | BEARING CUP | 1 | |
| 6 | 233-0489 | BEARING CONE | 1 | |
| 7 | 233-0492 | BEARING CUP | 1 | |
| 8 | 233-0493 | BEARING CONE | 1 | |
| 24 | 237-0542-001 | CARRIER | 1 | |
| 29 | 265-0238 | BOLT, 7/16-14 x 1-1/4 GR5 HH | 10 | |
| 43 | 427-0523 | GASKET, CARRIER | 1 | |
| 48 | 432-0779 | GEAR, 33 TOOTH, UPPER OR LOWER | 1 | |
| 52 | 432-0634 | GEAR, CLUTCH, FRONT DRIVE & PTO | 1 | |
| 64 | 688-0738 | NUT LOCK HEX 1 3/4-12 | 2 | |
| 69 | 732-0467 | SEAL, OIL | 1 | |
| 94 | 776-0233 | SHAFT | 1 | |
| 113 | 927-0347 | WASHER, 7/16 SAE PLAIN | 10 | |
| 118 | 927-0797 | WASHER, UPPER SHAFT | 1 | |
| 123 | 966-0326 | KEY, WOODRUFF, HARDENED | 1 | |

Footnotes:

1. See service manual.
2. Select one spacer ring. See service manual.

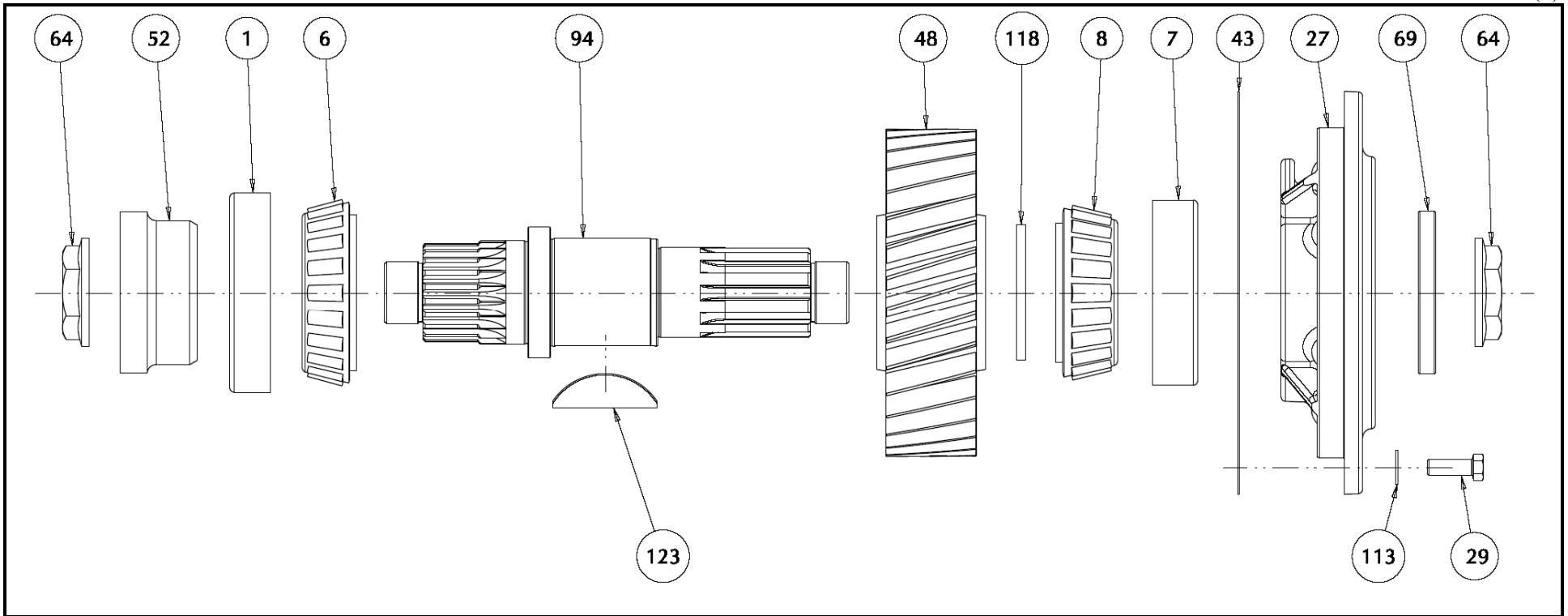


FIG. 9 - REAR OUTPUT SHAFT ASSEMBLY
Models without Neutral

TC-180 REAR OUTPUT SHAFT ASSEMBLY
Models with Neutral
See Fig. 10

| <u>ITEM</u> | <u>PART NO.</u> | <u>DESCRIPTION</u> | <u>QTY.</u> | <u>FOOT</u> <u>NOTE</u> | <u>ITEM</u> | <u>PART NO.</u> | <u>DESCRIPTION</u> | <u>QTY.</u> | <u>FOOT</u> <u>NOTE</u> |
|-------------|-----------------|---------------------------------|-------------|----------------------------|-------------|-----------------|--|-------------|----------------------------|
| 1 | 233-0375 | BEARING CUP | 1 | | 59 | 675-0326-V14 | O-RING | 1 | |
| 6 | 233-0489 | BEARING CONE | 1 | | 60 | 688-0342 | NUT, 1/2-20 UNJF-3B HIGH TENSILE HEX | 1 | |
| 7 | 233-0492 | BEARING CUP | 1 | | 61 | 688-0464 | NUT, 3/8-24, THIN, PLATED, HEX, LOCK. | 1 | |
| 8 | 233-0493 | BEARING CONE | 1 | | 64 | 688-0738 | NUT LOCK HEX 1 3/4-12 | 2 | |
| 16 | 235-0634 | CAP, SHIFT CYLINDER | 1 | | 69 | 732-0467 | SEAL, OIL | 1 | |
| 26 | 237-0736-001 | CARRIER, (180) | 1 | | 81 | 753-0232 | PISTON, SHIFT | 1 | |
| 29 | 265-0238 | BOLT, 7/16-14 x 1-1/4 GR5 HH | 10 | | 82 | 756-0228 | RING, REAR LOWER SHAFT w/NEUT | 1 | |
| 33 | 265-0386 | BOLT, 1/4-20 x 3/4 GR5 HH | 4 | | 83 | 756-0364 | RING, SPACER, LWR, FRT | 1 | |
| 37 | 339-0223 | FELT WIPER | 1 | | 96 | 776-1397 | SHAFT SUB-ASSY, (180) | 1 | |
| 39 | 367-0286 | FORK, SHIFT | 1 | | 97 | 776-0236-003 | SHAFT, SHIFTER w/NEUTRAL, w/INDCTR GRV | 1 | |
| 43 | 427-0523 | GASKET, CARRIER | 1 | | 101 | 675-0012-V14 | O-RING, PISTON | 1 | |
| 50 | 432-1783 | GEAR ASSY | 1 | | 115 | 927-0643 | WASHER, SHIFT SHAFT, 3/8 I.D. | 1 | |
| 51 | 432-0633 | GEAR, SLIDING CLUTCH, SPUR | 1 | | 116 | 927-0722 | WASHER, 1/2 SAE FLAT | 1 | |
| 52 | 432-0634 | GEAR, CLUTCH, FRONT DRIVE & PTO | 1 | | 120 | 927-0854 | WASHER, THRUST LOWER GEAR | 1 | |
| 56 | 675-0032-V14 | O-RING, NEUTRAL CAP | 1 | | 121 | 927-0822 | WASHER, NYLON PISTON STOP | 2 | |
| 58 | 675-0316-V14 | O-RING | 1 | | | | | | |

Footnotes:

1. See service manual.
2. Select one spacer ring. See service manual.

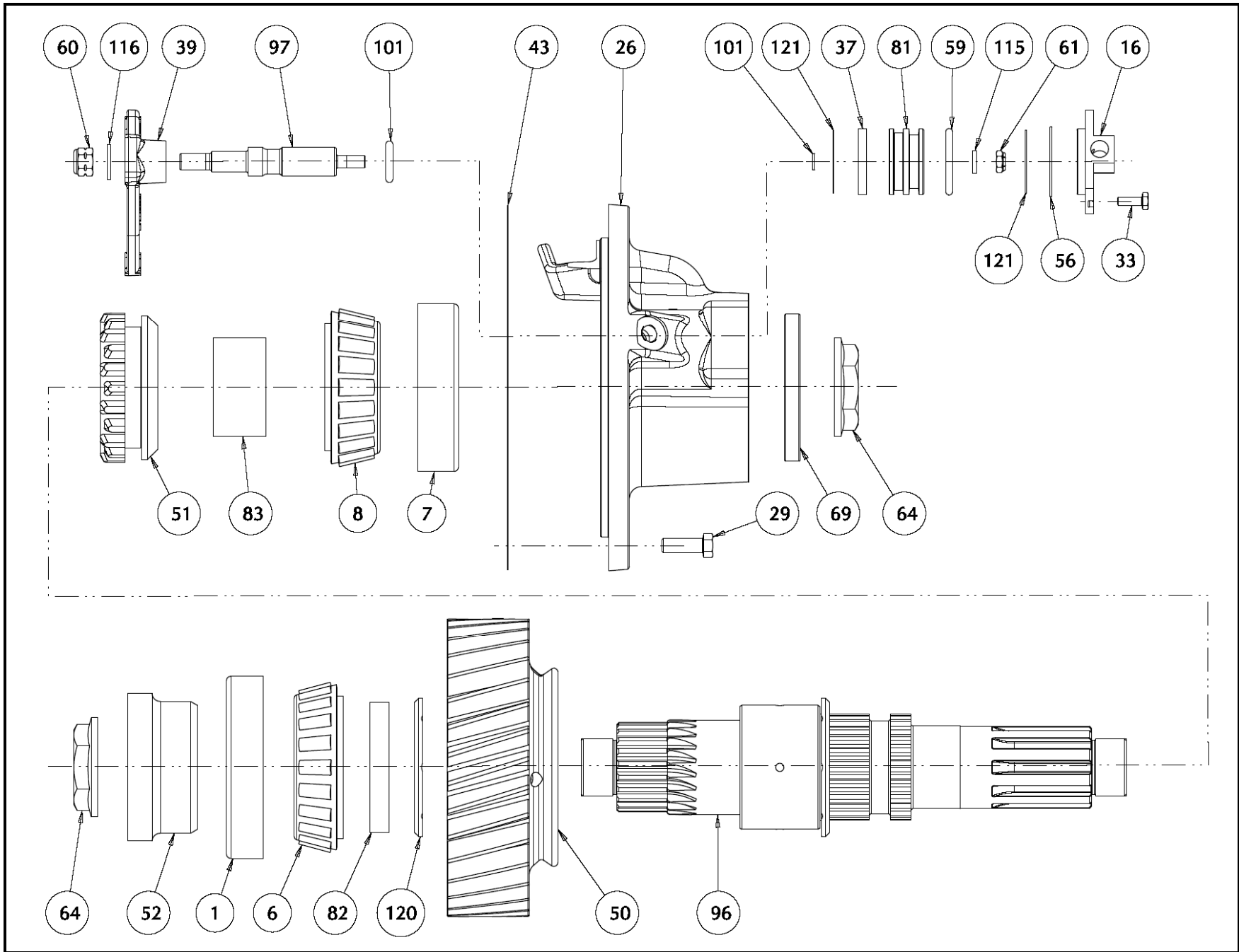


FIG. 10 - REAR OUTPUT SHAFT ASSEMBLY
Models with Neutral

TC-180 SINGLE-ACTING AIR SHIFT CYLINDER ASSEMBLY**All Models****See Fig. 11**

| <u>ITEM</u> | <u>PART NO.</u> | <u>DESCRIPTION</u> | <u>QTY.</u> | <u>FOOT NOTE</u> |
|-------------|-----------------|---------------------------------------|-------------|----------------------|
| 14 | 235-0352 | CAP, SHIFT CYLINDER | 1 | |
| 35 | 265-0768 | BOLT, 7/16-20x1.5 LG GR8 DRILLED HH | 2 | |
| 36 | 265-0769 | BOLT, 1/4-20 x 3-3/4 GR5 HH | 4 | |
| 37 | 339-0223 | FELT WIPER | 1 | |
| 38 | 367-0254 | FORK, SHIFT | 1 | |
| 57 | 675-0224-V14 | O-RING | 3 | |
| 59 | 675-0326-V14 | O-RING | 1 | |
| 61 | 688-0464 | NUT, 3/8-24, THIN, PLATED, HEX, LOCK. | 1 | |
| 70 | 736-0747 | RING, STOP, PISTON | 1 | |
| 76 | 742-0799 | SHAFT, SHIFT | 1 | |
| 80 | 746-0628 | PIN DOWEL, .3125 x 1.25 STANDARD | 1 | |
| 81 | 753-0232 | PISTON, SHIFT | 1 | |
| 89 | 758-0328 | PLUG, WELCH 1 INCH | 1 | |
| 99 | 777-0477 | SPRING, HELICAL COMPRESSION | 1 | |
| 101 | 675-0012-V14 | O-RING, PISTON | 1 | |
| 106 | 798-0245 | SWITCH, INDICATOR LIGHT NO | 1 | |
| 108 | 883-0482 | TUBE, SHIFT CYL. ADAPTER | 1 | |
| 109 | 883-0887-001 | TUBE, SHIFT CYLINDER 2.75 LG. | 1 | |
| 114 | 927-0427 | WASHER, COPPER, SEALING | 1 | |
| 115 | 927-0643 | WASHER, SHIFT SHAFT, 3/8 I.D. | 1 | |
| 122 | 947-0223 | WIRE, LOCK, 18 GA. | 1 | |

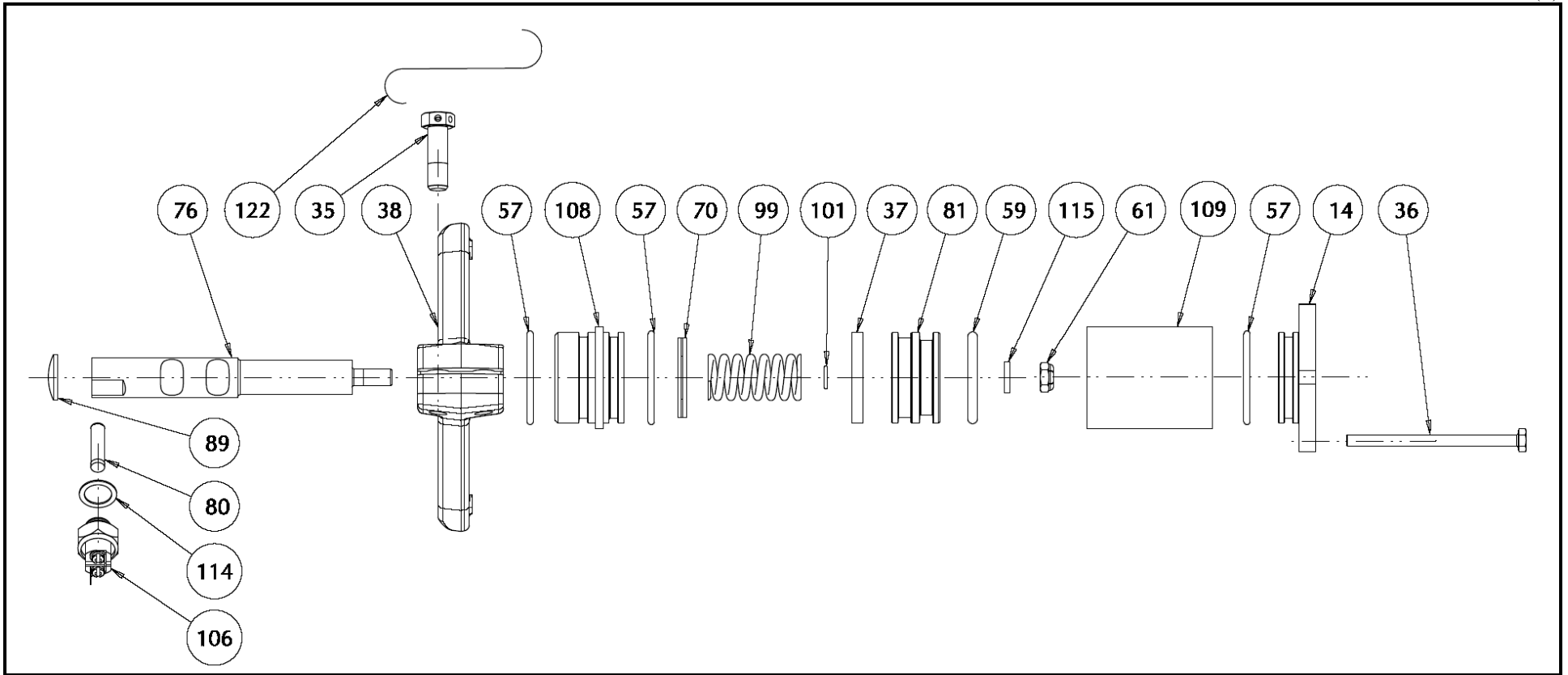


FIG. 11 - SINGLE-ACTING SHIFT CYLINDER ASSEMBLY
All Models

TC-180 LUBRICATION AND FITTINGS
Models without PTO Output
See Fig. 12

| <u>ITEM</u> | <u>PART NO.</u> | <u>DESCRIPTION</u> | <u>QTY.</u> | <u>FOOT NOTE</u> |
|-------------|-----------------|---------------------------------------|-------------|----------------------|
| 1 | 273-0764 | BRACKET, OIL FILTER MTG | 1 | |
| 2 | 345-0267 | FILTER, OIL | 1 | |
| 3 | 345-0268 | STRAINER, OIL | 1 | |
| 4 | 357-0797 | ADAPTER, 1/4 MNPT x #8 AN | 1 | |
| 5 | 356-0365 | NIPPLE, .75-16 UNF x 1.5 LONG | 1 | |
| 7 | 366-0229 | TEE, STL, #8 F SWIVEL x M JIC x M JIC | 1 | |
| 8 | 357-0472 | ELBOW,90 DEG, .50 FNPT x .50 MNPT | 1 | |
| 9 | 357-0378 | ELBOW, 90 DEG, 3/4 NPT X #12 AN | 1 | |
| 10 | 357-0898 | ELBOW, 90 DEG, .25 MNPT x #6 AN | 1 | |
| 11 | 357-0293 | ELBOW 90, 1/2 MNPT x #8M JIC 37 | 2 | |
| 12 | 469-0822-072 | HOSE ASSY, #6 HOSE, 19.75in LONG | 1 | |
| 13 | 469-0823-010 | HOSE ASSY, #8, 11.25in LONG | 1 | |
| 14 | 469-0823-001 | HOSE ASSY, #8, 16.0in LONG | 1 | |
| 15 | 469-0825-009 | HOSE ASSY, #12 HOSE, 12.5in LG | 1 | |
| 16 | 265-0323 | BOLT, 5/16-18 x 1-1/4 GR5 HH | 4 | |
| 17 | 824-0275 | TEE, 3/4 FNPT x 3/4 FNPT x 3/4 MNPT | 1 | |
| 18 | 927-0364 | WASHER, 5/16 SAE, FLAT PLAIN | 4 | |

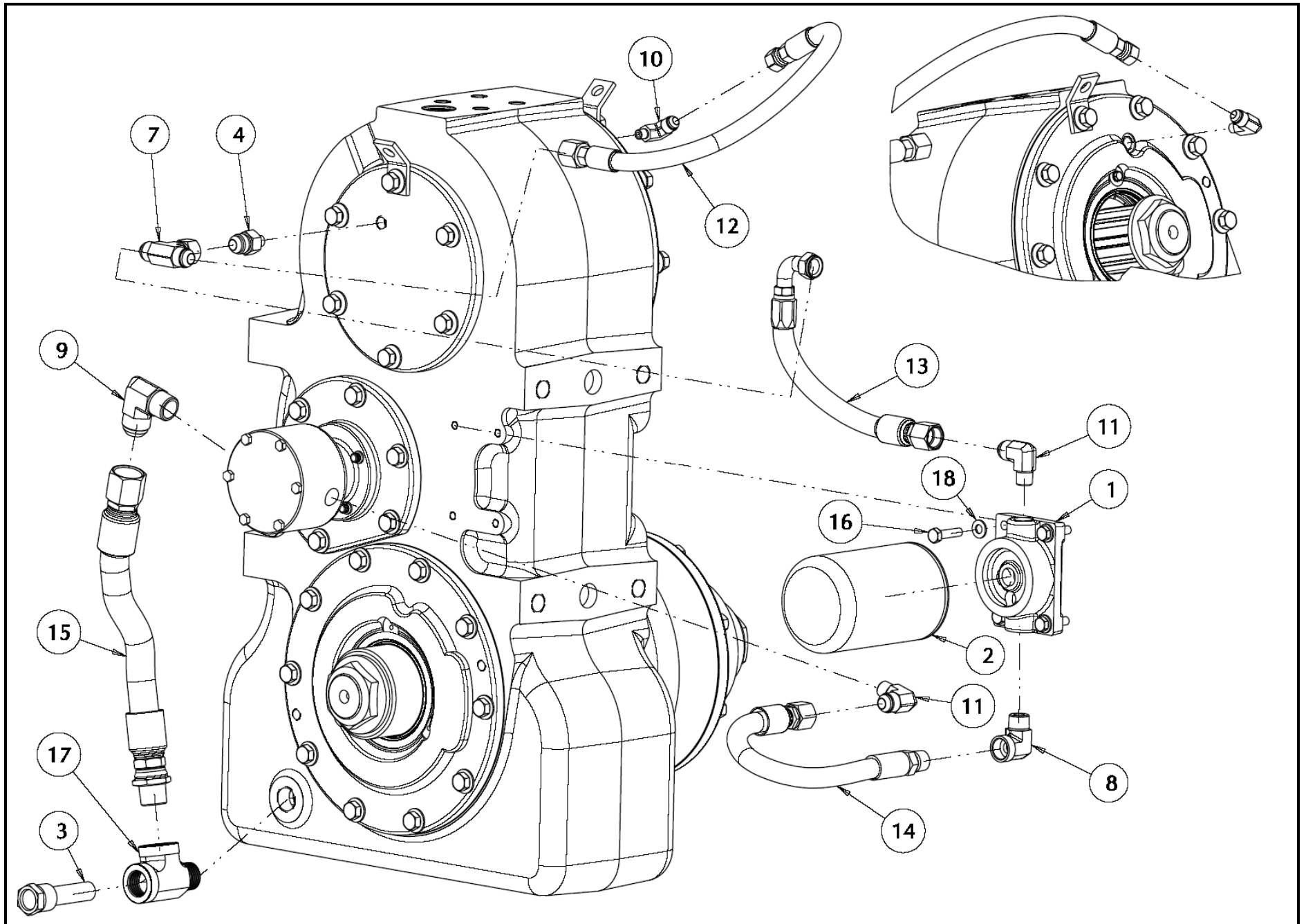


FIG. 12 - LUBRICATION AND FITTINGS
Models without PTO Output

TC-180 LUBRICATION AND FITTINGS
Models with PTO Output
See Fig. 13

| <u>ITEM</u> | <u>PART NO.</u> | <u>DESCRIPTION</u> | <u>QTY.</u> | <u>FOOT</u> <u>NOTE</u> |
|-------------|-----------------|--------------------------------------|-------------|----------------------------|
| 1 | 273-0764 | BRACKET, OIL FILTER MTG | 1 | |
| 2 | 345-0267 | FILTER, OIL | 1 | |
| 3 | 345-0268 | STRAINER, OIL | 1 | |
| 4 | 357-0797 | ADAPTER, 1/4 MNPT x #8 AN | 1 | |
| 5 | 356-0365 | NIPPLE, .75-16 UNF x 1.5 LONG | 1 | |
| 6 | 357-0293 | ELBOW 90, 1/2 MNPT x #8M JIC 37 | 2 | |
| 7 | 366-0229 | TEE, STL, #8 F SWIVEL x M JIC x M JI | 1 | |
| 8 | 357-0472 | ELBOW,90 DEG, .50 FNPT x .50 MNPT | 1 | |
| 9 | 357-0378 | ELBOW, 90 DEG, 3/4 NPT X #12 AN | 1 | |
| 10 | 357-0898 | ELBOW, 90 DEG, .25 MNPT x #6 AN | 1 | |
| 12 | 469-0822-077 | HOSE ASSY, #6 HOSE, 16.3in LONG | 1 | |
| 13 | 469-0823-017 | HOSE ASSY, #8, 19.5in LONG | 1 | |
| 14 | 469-0823-001 | HOSE ASSY, #8, 16.0in LONG | 1 | |
| 15 | 469-0825-009 | HOSE ASSY, #12 HOSE, 12.5in LG | 1 | |
| 16 | 265-0323 | BOLT, 5/16-18 x 1-1/4 GR5 HH | 4 | |
| 17 | 824-0275 | TEE, 3/4 FNPT x 3/4 FNPT x 3/4 MNPT | 1 | |
| 18 | 927-0364 | WASHER, 5/16 SAE, FLAT PLAIN | 4 | |

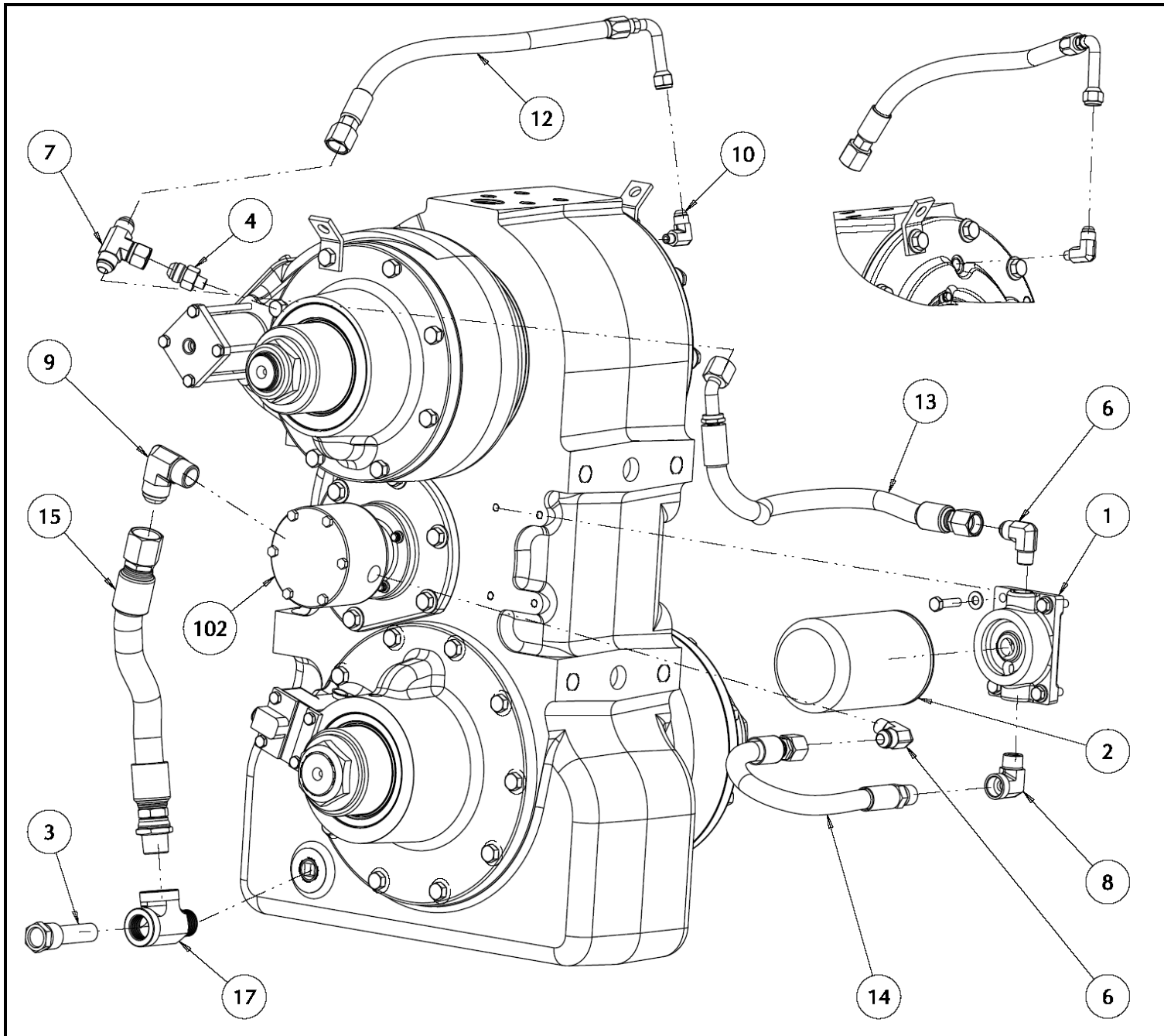


FIG. 13 - LUBRICATION AND FITTINGS
Models with PTO Output

TC-180 REMAINING PARTS**See Fig. 14**

| <u>ITEM</u> | <u>PART NO.</u> | <u>DESCRIPTION</u> | <u>QTY.</u> | <u>FOOT NOTE</u> |
|-------------|-----------------|--|-------------|----------------------|
| 54 | 478-0356 | HOUSING, TRANSFER CASE, FINISHED,180 | 1 | |
| 55 | 626-0228 | DATA PLATE, SERIAL NO. | 1 | |
| 66 | 724-0276 | SCREW, DRIVE, #6 x 5/16 | 2 | |
| 86 | 758-0229 | PLUG, 3/4 NPT SQUARE COUNTERSUNK | 2 | |
| 87 | 758-0293 | PLUG, C.S., 1/2 NPT | 2 | |
| 87A | 758-0389 | PLUG, W/ SIGHT GLASS AND REFLECTOR | 1 | |
| 87B | 758-0386 | PLUG, W/O-RING, METAL, 3/4-16 THD. | 1 | |
| 88 | 758-0274 | PLUG, 3/4 NPT SQUARE SOCKET HEAD MAGNETI | 1 | |

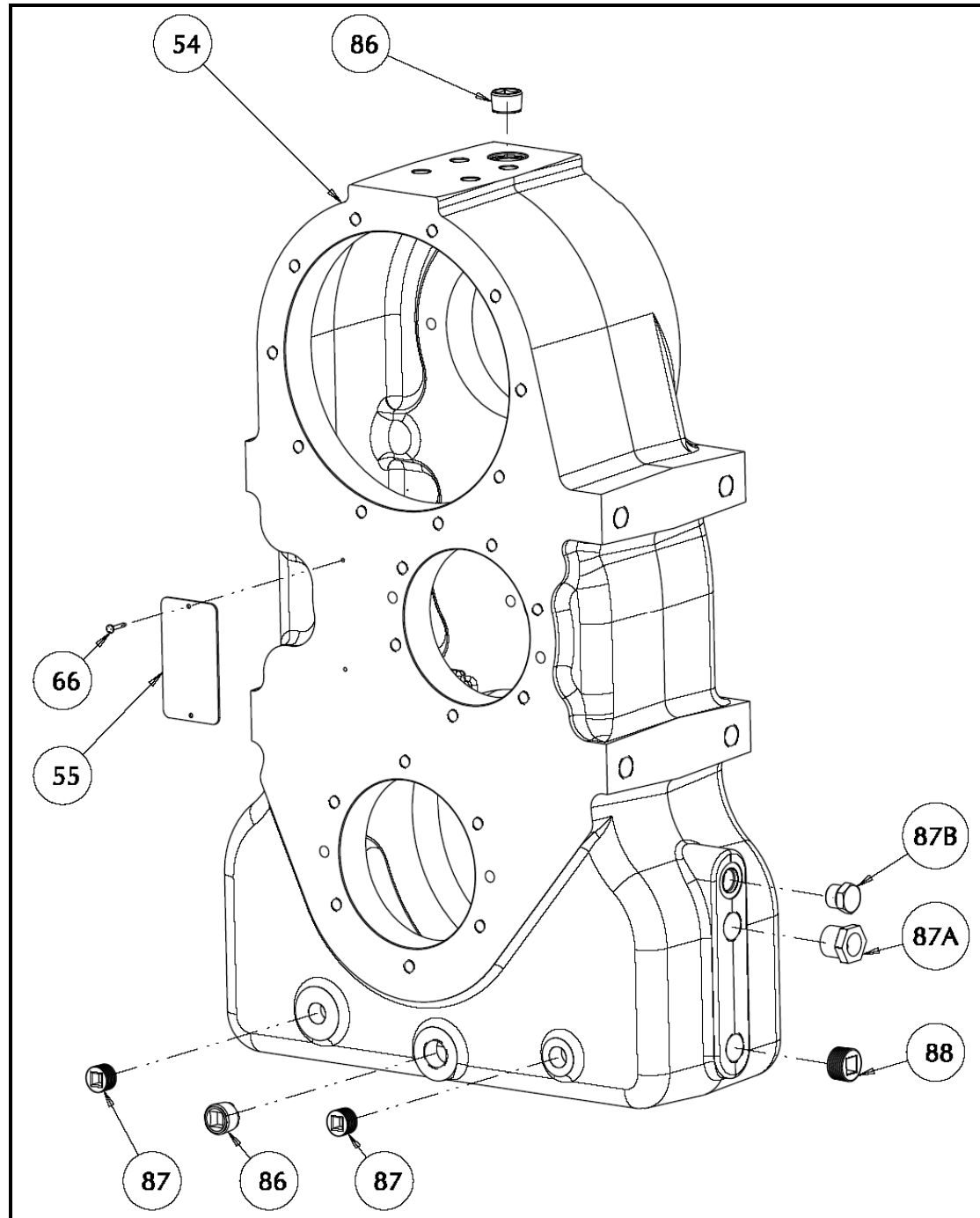


FIG. 14 - REMAINING PARTS